

## Distribution solutions

### FIBRAIN PST-Ax telescopic patch panel

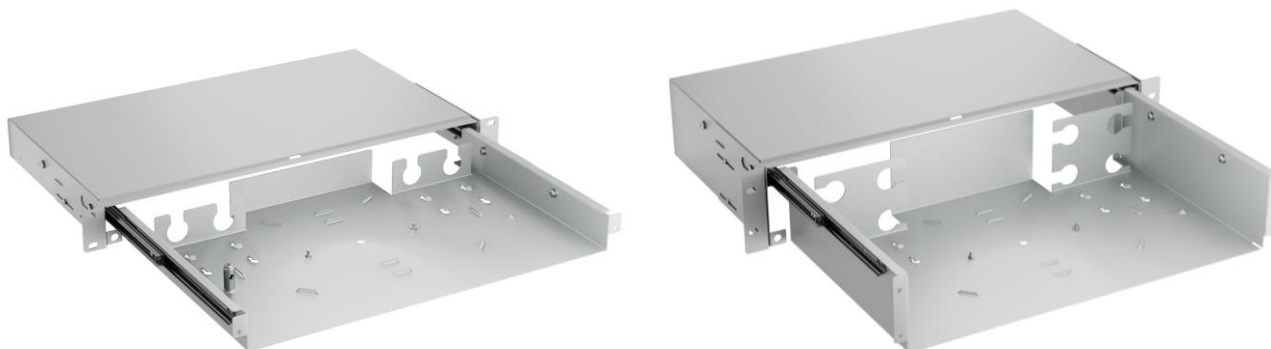


#### DESCRIPTION:

- Available in 1U and 2U
- Full opening on telescopic rails
- Cable entries in a rear part of the shelf (4pcs in 1U and 8pcs in 2U) are available in two configuration:
  - perpendicular cable entries in PST-A1-x type
  - cable entries at an angle of 45° and perpendicular in PST-A2-x type
- Internal perforation to manage tubes and fibers
- Faceplates ready for mounting adapters without screws
- Optional front shelf to facilitate the management of patchcords
- Adjustable side handles
- Front plates can be optionally locked with a key
- Holder for the strength element of cable

#### TECHNICAL SPECIFICATION:

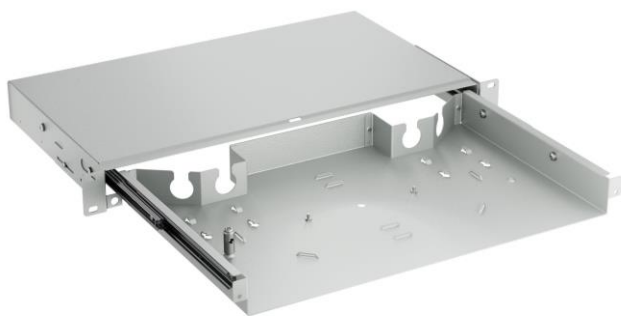
Technical data	PST-Ax-01	PST-Ax-02
Height	1U (44mm)	2U (88mm)
Width	19" (482,6mm)	19" (482,6mm)
Depth	255mm	255mm
Maximum cassette capacity	4	6
Material	Powder painted steel	



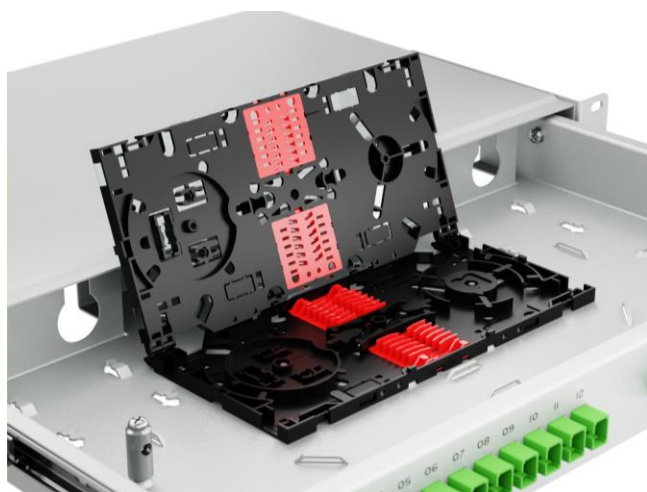
Perpendicular cable entries in PST-A1-x type

Type:	Premium telescopic patch panel	
Ref:	PST-Ax	REV: 2.0
Date:	29.04.2014	WM
Modification:	21.07.2022	DP

## Distribution solutions



Cable entries at an angle of 45° + perpendicular in PST-A2-x type



Hinged splice cassette



Example of equipped patch panel

### ADDITIONAL EQUIPMENT:

Mounting screws		KSM-M6-KPL
Splicing cassette for 12 splices		SCM-A-12
Splicing cassette for 24 splices		SCM-A-24
Patchcord management shelf		FB2030G.V2P
Central bolt mounting set for splice cassette for PST 1U patchpanel		PST-AX-01-CB
Central bolt mounting set for splice cassette for PST 1U patchpanel		PST-AX-02-CB
<b>Front plates</b>		
<b>1U</b>	12x ST,FC	FB2030
	12x ST,FC with lock	FB2030K
	12x SC,LC,E2000 simplex	FB2031
	12x SC,LC,E2000 simplex with lock	FB2031K
	12x SC duplex	FB2032
	12x SC duplex with lock	FB2032K
	24x ST,FC	FB2033
	24x ST,FC with lock	FB2033K
	24x SC,LC,E2000 simplex	FB2034
	24x SC,LC,E2000 simplex with lock	FB2034K
	24x SC duplex	FB2035
24x SC duplex with lock	FB2035K	
<b>2U</b>	48x ST,FC	FB2043
	48x ST,FC with lock	FB2043K
	48x SC,LC,E2000 simplex	FB2044
	48x SC,LC,E2000 simplex with lock	FB2044K
	48x SC duplex	FB2045
	48x SC duplex with lock	FB2045K
	72x SC,LC,E2000 simplex	FB2046

Type:	Premium telescopic patch panel	
Ref:	PST-Ax	REV: 2.0
Date:	29.04.2014	WM
Modification:	21.07.2022	DP

## Distribution solutions

	72x ST,FC	FB2047
--	-----------	--------

### ORDERING INFORMATION:

#### PST-Ax patch panel not equipped

PST-A1-01	FibraIn 1U telescopic fiber optic patch panel, without front plate and accessories, grey (RAL7035);
PST-A1-01B	FibraIn 1U telescopic fiber optic patch panel, without front plate and accessories, black (RAL9005);
PST-A1-02	FibraIn 2U telescopic fiber optic patch panel, without front plate and accessories, grey (RAL7035);
PST-A1-02B	FibraIn 2U telescopic fiber optic patch panel, without front plate and accessories, black (RAL9005);
PST-A2-01	FibraIn 1U telescopic fiber optic patch panel, 45° cable entries, without front plate and accessories, grey (RAL7035);
PST-A2-01B	FibraIn 1U telescopic fiber optic patch panel, 45° cable entries, without front plate and accessories, black (RAL9005);
PST-A2-02	FibraIn 2U telescopic fiber optic patch panel, 45° cable entries, without front plate and accessories, grey (RAL7035);
PST-A2-02B	FibraIn 2U telescopic fiber optic patch panel, 45° cable entries, without front plate and accessories, black (RAL9005);

#### PST-Ax patch panel equipped

As standard, the patch panels are equipped with fiber optic pigtailed with BFR 900um Easy Strip cable, length of 2m.

#### PST-AW-AABBC-DDEFG-HHHIJKLL-MN-OOP-RS Ordering syntax;

<b>W – Cable entry and splice cassette mounting type</b>	<ul style="list-style-type: none"> <li>1 – perpendicular cable entries, SCM-A cassette mounting type</li> <li>2 – cable entries at an angle of 45° + perpendicular, SCM-A cassette mounting type</li> <li>3 – perpendicular cable entries, central bolt cassette mounting type</li> <li>4 – cable entries at an angle of 45° + perpendicular, central bolt cassette mounting type</li> </ul>
--	--

<b>AA – Height and colour</b>	<ul style="list-style-type: none"> <li>01 – 1U (grey RAL7035)</li> <li>02 – 2U (grey RAL7035)</li> <li>B1 – 1U (black RAL9005)</li> <li>B2 – 2U (black RAL9005)</li> </ul>
-------------------------------	--

<b>BB – Front plate type</b>	<ul style="list-style-type: none"> <li>01 - <b>FB2030</b> (12x ST,FC)</li> <li>02 - <b>FB2031</b> (12x SC SX,LC DX, E2000 SX)</li> <li>03 - <b>FB2031B</b> (12x SC SX,LC DX, E2000 SX, black)</li> <li>04 - <b>FB2032</b> (12x SC DX, LC 4X)</li> <li>05 - <b>FB2032B</b> (12x SC DX, LC 4X, black)</li> <li>06 - <b>FB2033</b> (24x ST,FC)</li> <li>07 - <b>FB2034</b> (24x SC SX,LC DX, E2000 SX)</li> <li>08 - <b>FB2034B</b> (24x SC SX,LC DX, E2000 SX, black)</li> <li>09 - <b>FB2035</b> (24x SC DX, LC 4X)</li> <li>10 - <b>FB2035B</b> (24x SC DX, LC 4X, black)</li> <li>11 - <b>FB2043</b> (48x ST,FC)</li> <li>12 - <b>FB2044</b> (48x SC SX,LC DX, E2000 SX)</li> <li>13 - <b>FB2045</b> (48x SC DX, LC 4X)</li> <li>14 - <b>FB2046</b> (72x SC SX,LC DX, E2000 SX)</li> <li>15 - <b>FB2046B</b> (72x SC SX,LC DX, E2000 SX, black)</li> <li>16 - <b>FB2047</b> (72x ST,FC)</li> <li>17 - <b>FB2045B</b> (48x SC DX, LC 4X, black)</li> <li>18 - <b>FB2044B</b> (48x SC SX,LC DX, E2000 SX, black)</li> <li>19 - <b>FB2047B</b> (72x ST,FC, black)</li> <li>20 - <b>FB2043B</b> (48x ST,FC, black)</li> </ul>	<ul style="list-style-type: none"> <li>} 1U front plates</li> <li>} 2U front plates</li> </ul>
------------------------------	--	--

<b>C – Lock</b>	<ul style="list-style-type: none"> <li>K – plate with lock</li> <li>0 – plate without lock</li> </ul>
-----------------	---

<b>DD –Adapters quantity</b>	0-72
------------------------------	------

<b>E – Adapters class</b>	<ul style="list-style-type: none"> <li>0 – none</li> <li>1 – Standard One-Piece (or Standard for E2000, FC, ST)</li> <li>2 – Premium Super One-Piece</li> <li>3 – Premium One-Piece with internal shutter</li> <li>4 – Premium (applies for FC, ST)</li> </ul>
---------------------------	--

<b>F – Adapters type</b>	<ul style="list-style-type: none"> <li>0 – none</li> <li>1 – SC</li> <li>2 – SCA</li> <li>3 – E2000</li> <li>4 – E2000 APC</li> <li>5 – LC</li> <li>6 – LCA</li> <li>7 – FC</li> <li>8 – FCA</li> <li>9 – ST</li> </ul>
--------------------------	---

Type:	Premium telescopic patch panel	
Ref:	PST-Ax	REV: 2.0
Date:	29.04.2014	WM
Modification:	21.07.2022	DP

## Distribution solutions

<b>G – Transmission</b>	<b>1 – SM</b> <b>2 – MM (beige @SC/LC, back @E2000)</b> <b>3 – MM OM3 (aqua @SC/LC)</b> <b>4 – MM OM4 (violet @SC/LC)</b>
<b>HHH – Pigtails quantity</b>	<b>0 – 144</b>
<b>I – Fiber type</b>	<b>D – G.657A1</b> <b>E – G.657A2</b> <b>H – MM OM1</b> <b>I – MM OM2</b> <b>K – MM OM3</b> <b>L – MM OM4</b>
<b>JJ – Connector type</b>	<b>01 – SC</b> <b>02 – SCA</b> <b>03 – LC</b> <b>04 – LCA</b> <b>05 – FC</b> <b>06 – FCA</b> <b>07 – E2</b> <b>08 – E2A</b> <b>09 – ST</b>
<b>K – Pigtail type</b>	<b>G – Gold</b> <b>T – Titanium</b>
<b>LL – Colour identification</b>	<b>01 – for pigtails with yellow 0.9mm buffer</b> <b>02 – for pigtails with orange 0.9mm buffer</b> <b>03 – T TELECOM (acc. to IEC60304)</b> <b>04 – T1 TELECOM (acc. to 60304/tab. 3 &amp; ZN-11/TPSA-005-02)</b> <b>05 – T2 TELECOM (acc. to z EIA 598A)</b> <b>06 – D DATACOM (acc. to DIN VDE 0888 &amp; IEC 60304)</b> <b>07 – D1 DATACOM (acc. to IEC 60304, TIA/EIA 598-A, TIA/EIA 598-C)</b> <b>08 – for pigtails with aqua 0.9mm buffer</b> <b>09 – for pigtails with green 0.9mm buffer</b> <b>10 – for pigtails with violet 0.9mm buffer</b> <b>11 – for pigtails with blue 0.9mm buffer</b>
<b>M – Splice cassette quantity</b>	<b>1 – 6</b>
<b>N – Splice cassette type</b>	<b>1 – SCM-A-12H</b> <b>2 – SCM-A-24H</b>
<b>OOO – Protection sleeves quantity</b>	<b>0 – 144</b>
<b>P – Protection sleeves type</b>	<b>1 – 45 mm</b>
<b>R – Cable gland quantity</b>	<b>0 – 8</b>
<b>S – Cable gland type</b>	<b>1 – PG13.5</b> <b>2 – PG16</b>

*This document and the statements contained in it, are not intended for customers within the meaning of Civil Code. The information submitted in this document is to our knowledge and belief true at the time of issue, however, we do not assume any liability whatsoever for its accuracy, and completeness. This document is for informational purposes on an "as is" basis only, and Fibrain reserves the right to change its contents at any time without prior notice. The specification cannot in any case be considered an offer within the meaning of the Civil Code and is not contractually valid unless specifically authorized by Fibrain. Before using this product, its buyer and/or user has to make sure that it is suitable for the intended use. All liability issues related to this product are subjected to the seller's separate Terms of Sale or the terms and conditions agreed with the Fibrain representative or distributor.*